

**V-100**  
**INLET SEPARATOR**  
 406.4 OD x 2286 S/S x 9930 kPa  
 x -29/54 DEG. C, 2.159mm C.A.

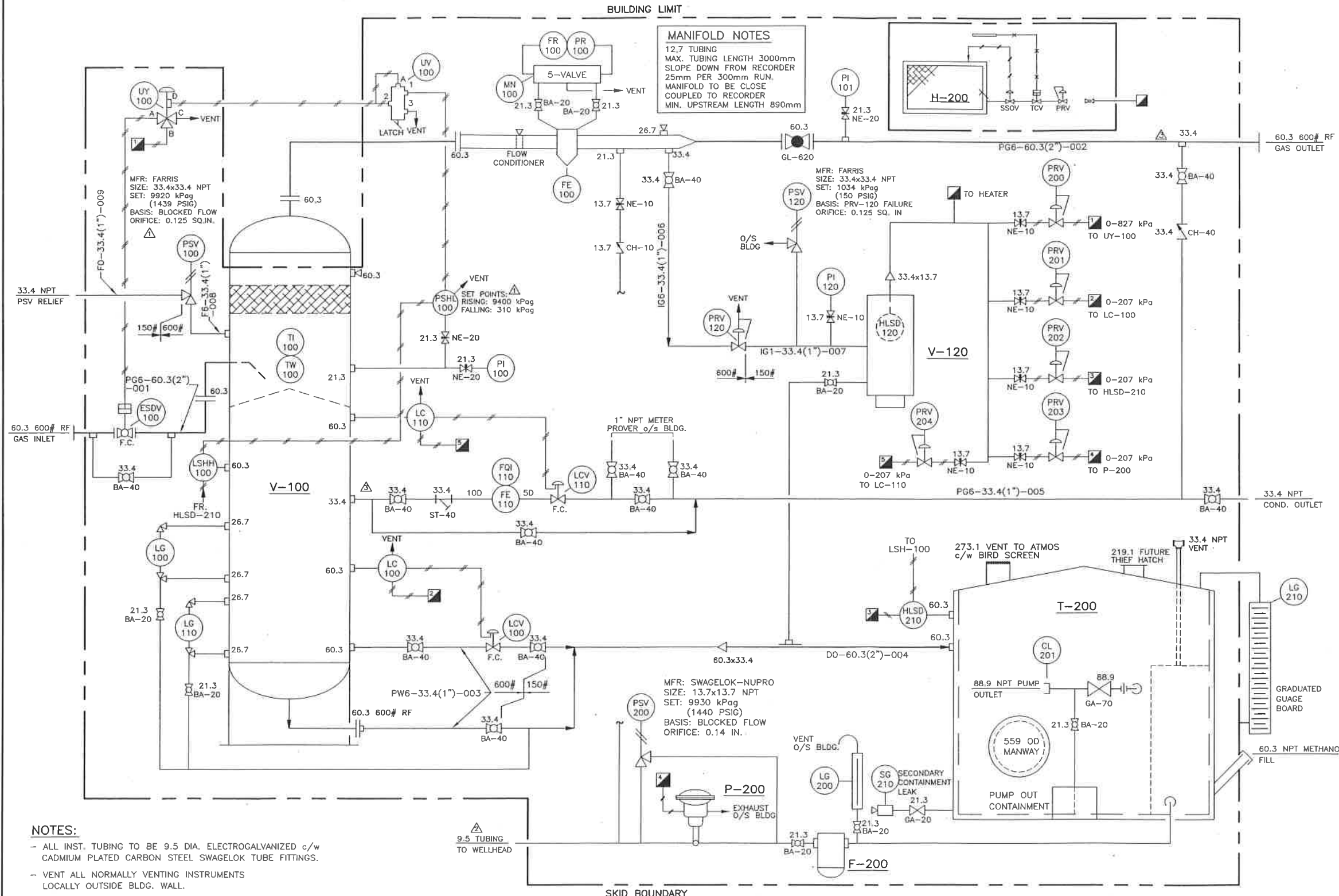
**V-120**  
**FUEL GAS SCRUBBER**  
 219.1 OD x 610 S/S x 1034 kPa  
 x -29/93 DEG. F, 1.5875 C.A.

**P-200**  
**METHANOL PUMP**  
 BRUIN BR 5103-LP-1511  
 9.5mm (3/8") DIA. PLUNGER  
 20,685 kPa MAX. DISCHARGE PRESS.

**T-200**  
**METHANOL/WATER TANK**  
 100 BBL WATER TANK c/w  
 500 GALLON METHANOL TANK  
 3048 OD x 2438 HIGH  
 INTERNALLY COATED W/ DEVCO 253

**H-200**  
**BUILDING HEATER**  
 24,000 BTU/HR CATADYNE HEATER 305 W X 1219 H  
 c/w REGULATOR, THERMOSTAT, S.S.O.V.,  
 PROTECTION GRILL, VENT HOOD, 12 VDC START-UP,  
 AND 9150 CABLE (NATURAL GAS)

**F-200**  
**FILTER ELEMENT**  
 SIMTEX SIX200H-1-50002  
 SPIN ON HEAD c/w 70/35  
 FILTER ELEMENT



TAG #s	QTY	DESCRIPTION
CL 201	1	88.9 female couple X 88.9 female npt camlok fitting, type "D" c/w DP dust plug
ESDV 100	1	60.3 600# RF Reg. port ball valve, Nutron T3-R20R06B c/w Triac spring return pneumatic actuator, Fail Closed, 552 kPa supply
FE 100	1	60.3 600# RF North Star Senior orifice fitting c/w 60.3 Sch 80 AGA report No. 3-4th edition (2000) meter run c/w pin type flow conditioner, beveled outer ends, (1) 21.3 6000#, (1) 26.7 3000# and (1) 33.4 3000# TOL downstream conn.
FE/FQI 110	1	1" X 1" NPT NuFlo turbine meter #100003526 c/w Type 3030AN magnetic pick-up #100002077 & MC-11 totalizer #100005130, local readout
FR/PR 100	1	Barton 202-E 2-pen dry flow recorder, 0-100" W.C., 0-10,342 kPa static pressure, programmable battery operated chart drive (Reconditioned)
HLSL 120	1	Louvers and Gauges LG12 60.3 NPT internal high level shutdown valve
HLSL 210	1	Wellmark ST2TP low pressure pneumatic level switch, 60.3 NPT process connection
LC 100	1	Fisher L2 snap acting liquid level controller, 60.3 NPT connection, vertical PVC displacer, sweet instrument gas
LC 110	1	Fisher L2 snap acting liquid level controller, 60.3 NPT connection, vertical PVC displacer, sweet instrument gas
LCV 100	1	33.4 NPT Fisher D2 Flopro control valve, 9.5mm (3/8") adjustable trim, Fail Closed, 0-241 kPa signal, NACE
LCV 110	1	33.4 NPT Fisher D2 Flopro control valve, 9.5mm (3/8") adjustable trim, Fail Closed, 0-241 kPa signal, NACE
LG 100	1	Penberthy 1RL4 reflex level gauge, 171mm visible length c/w 26.7 NPT 330J gauge valves
LG 110	1	Penberthy 1TM4 transparent level gauge, 6 3/4" visible length c/w 3/4" NPT 330J gauge valves
LG 200	1	Louvers and Gauges SG48BC calibrated rate/level gauge
SG 210	1	Louvers & Gauges sight glass DTG-3
LSHH 100	1	SOR 1530B-G2A-C-JO-PS pneumatic level switch, 60.3 NPT process connection
MN 100	1	5-valve manifold, Century CM5-3-F44T-AB-V, C.S., Sweet
PI 100	1	0-10,342 kPa, 102 face, dual scale, S.S., L.F., 21.3 L.M., Nuova Fima 18/3A-421
PI 101	1	0-10,342 kPa, 102mm face, dual scale, S.S., L.F., 21.3 L.M., Nuova Fima 18/3A-421
PI 120	1	0-1380 kPa, 64mm face, dual scale, D.F., 13.7 L.M., Nuova Fima MI-63-14
PRV 120	1	33.4 NPT Fisher 627 regulator, steel body, 483-965 kPa range, 3mm (1/8") S.S. trim, nylon disk
PRV 200	1	13.7 NPT Bellofram T-50 regulator, 0-827kPa range, PN 960-275-200
PRV 201/202/203/204	4	13.7 NPT Bellofram T-50 regulator, 0-207 kPa range, PN 962-275-000
PSHL 100	1	Fisher 4660 Hi-Lo pressure Pilot, 310-10,032 kPa range, 316 SS bourdon tube Set @ 9400 kPag Rising & 310 kPag falling
PSV 100	1	33.4 x 33.4 NPT Farris 27DA33-M20 relief valve set @ 9920 kPag, 1439 psig NACE primary zone
PSV 120	1	33.4 x 33.4 NPT Farris 27DA33-M20 relief valve set @ 1034 kPag, NACE primary zone
PSV 200	1	13.7 MNPT x 13.7 FNPT Nupro SS-4R3A5-C relief valve c/w 177-R3A-K1-C spring, 5.171-10.342 kPa range set @ 9930 kPa
TI 100	1	-17 to 70 °C 0 to 250 °F, dual scale, 21.3 NPT C.B.M., bimetallic, 80 dial, 102 stem, GaugeTech GT3
TW 100	1	21.3 x 26.7 x 102 lg. 316 SS thermowell
UY 100	1	Amot 4057D025H2 13.7 NPT 3-way switching valve type CP c/w overlap
UY 100	1	13.7 NPT Fisher 167A switching valve, 124 to 207 kPa range
BA 40	12	33.4 NPT Reg. port ball valve, Nutron T3-R10S30-B
BA 20	8	21.3 NPT full port ball valve, Nutron T3-F05S30-B
CH 40	1	33.4 NPT piston check valve, NAVCO CP-R10S08-A8, Class 800, std.
CH 10	1	13.7 NPT piston check valve, Nupro B-4CP2-1, 3000 psi MAWP
GA 70	1	88.9 NPT isolation clip gate valve, Fusion
GA 20	1	21.3 NPT gate valve, Navco, Class 800#, GA-RO5S08A8
GL 620	1	60.3 600# RF globe valve, Navco GL-R20R06W8, Std.
NE 20	3	21.3 NPT needle valve, Century CM2-3-F44T-B-V, Sweet
NE 10	7	13.7 NPT needle valve, Century CM2-3-F22T-BV, Sweet
ST 40	1	33.4 NPT y-strainer, Alberta Strainer YS-800
F 200	1	Simtek 24001 spin on head c/w FF5011 filter element
H 200	1	24,000 BTU/HR Catadyne heater (305 W x 1219 H), c/w regulator, thermostat, SSOV, protection grill, vent hood, 12 VDC start, and 9150 of cables (natural gas)
P 200	1	Bruin BR 5103-LP-1511 chemical injection pump, 9.5mm (3/8") plunger, 20,685 kPa maximum discharge pressure
V 120	1	219.1 OD x 635 S/S x 1034 kPag vertical scrubber

**NOTES:**  
 - ALL INST. TUBING TO BE 9.5 DIA. ELECTROGALVANIZED c/w CADMIUM PLATED CARBON STEEL SWAGELOK TUBE FITTINGS.  
 - VENT ALL NORMALLY VENTING INSTRUMENTS LOCALLY OUTSIDE BLDG. WALL.  
 - CHART RECORDER ON A STAND ALONE SUPPORT STRUCTURE

REV	DESCRIPTION	DATE	BY
1	REVISED SET POINTS FOR PSV-100 & PSHL-100	07/28/06	Y.P.
2	REVISED AS PER CUSTOMER REQUEST.	08/10/06	Y.P.
3	ADDED CONDENSATE PHASE. REVISED AS NOTED.	08/15/06	Y.P.
4	REVISED AS PER BUILT	08/21/06	M.F.



CUSTOMER: **DEVON CANADA CORPORATION** LOCATION: **12-30-34-15 W4M**  
 c/o HATCH OPTIMA LTD.  
**MECHANICAL FLOW DIAGRAM**  
 406 OD SEPARATOR/100 BBL TANK SKID PACKAGE (SWEET) PACKAGE "A"  
 DATE: 07/12/06 DRN BY: Y.P. SCALE: NTS CHKD BY: APPRD BY: DWG NO: C-2631-B1 REV: 4

( 1 ) REQ'D  
 TIME CARD  
 C-2631-PP  
 SN# C-2502H.VS